



*CB 1265*

# LIST OF THE EXPLODED VIEWS



*SHELL ASSY CB 1265A / CB 1265W*

*SHELL ASSY CB 1265A DP*

*COOLING SYSTEM*

*HYDRAULIC CIRCUIT CB 1265A / CB 1265W*

*HYDRAULIC CIRCUIT CB 1265A DP*

*ELECTRIC PARTS*

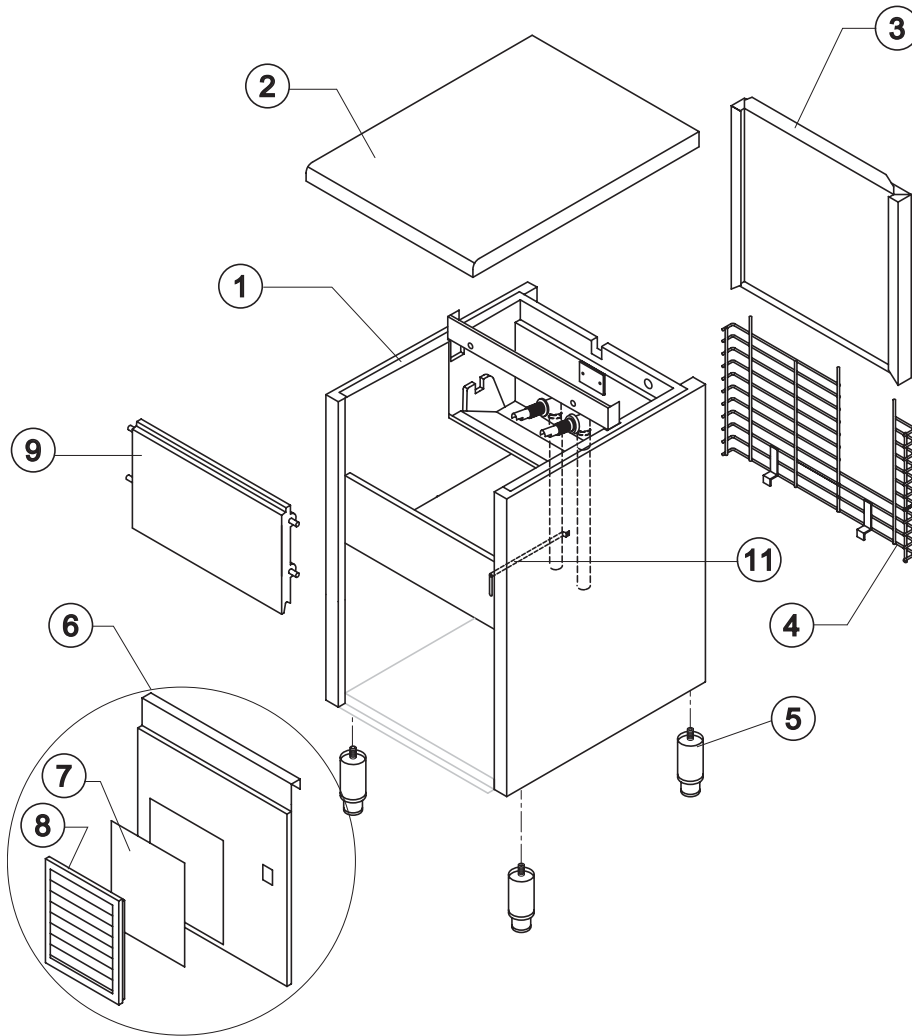
Rev. 11 - 23/03/2018



# CB 1265

# SHELL ASSY

## CB1265A / CB 1265W



Ref.	Spare Description	Code
1	Foamed Cabinet Assy	See Table
2	Top Assembly	C22688
3	Rear Panel Assembly	C21209
4	Rear Grid	D12021
5	Adjustable Stainless Steel Foot	20613
6	Front Grid Panel	C22564
7*	Filtering Panel	18106
8	Frame with Grid & Filter	C10205
9	Door Assy	C10275
11	Bulbe-holder Pipe	20521

### Ref. 1 - Foamed Cabinet Assy

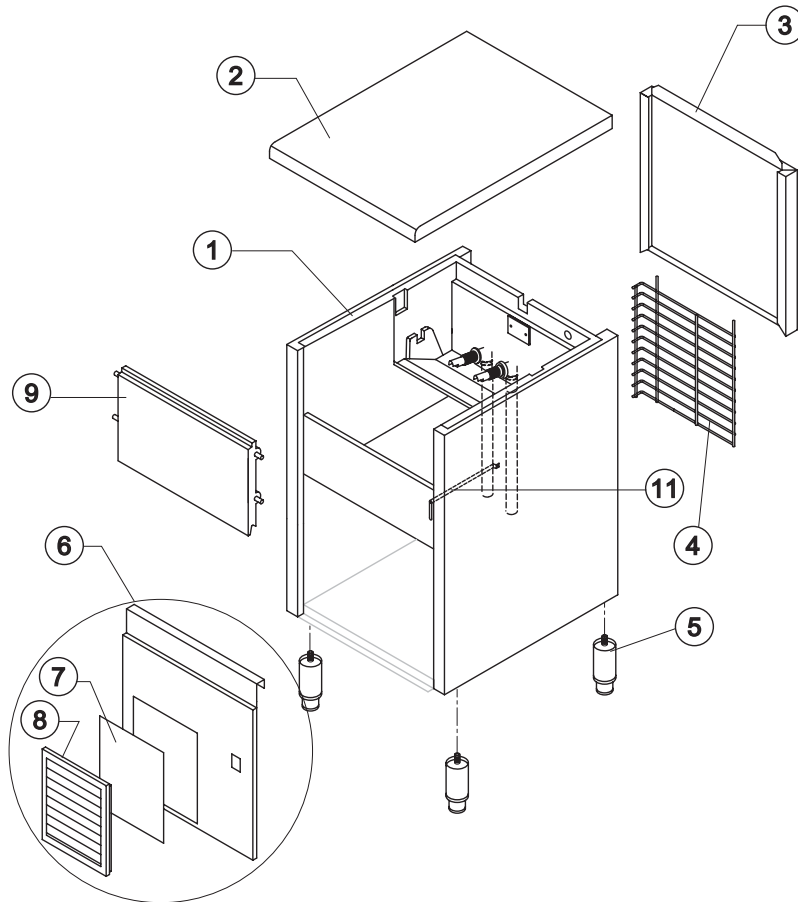
Condensation	Code
Air	C11086A
Water	C11086W

Rev. 11 - 23/03/2018



# CB 1265

## SHELL ASSY CB1265A DP



Ref.	Spare Description	Code
1	Foamed Cabinet Assy	C11086DP
2	Top Assembly	C22688
3	Rear Panel Assembly	C21209
4	Rear Grid	D12103
5	Adjustable Stainless Steel Foot	20613
6	Front Grid Panel	C22564
7*	Filtering Panel	18106
8	Frame with Grid & Filter	C10205
9	Door Assy	C10275
11	Bulbe-holder Pipe	20521



# CB 1265

# COOLING SYSTEM

## CB 1265A / CB 1265W / CB 1265A DP

### Common Parts

Ref.	Spare Description	Code
5	Sucking Fan	10213
6	Fan Fixing Hub	10014
7	Evaporator Cover Panel	10450
8	Evaporator	See Table
9*	Solid Core Drier	14089
10	Compressor	See Table
11	Vacuum-Charge Valve Body	14007
12*	Vacuum-Charge Valve Device	14005
13*	Vacuum-Charge Valve Plug	14006
14*	Hot Gas Valve Coil	See Table
15*	Hot Gas Valve Body	20409
16	Suctin Line	for the spare parts code give us the s/n.

### Parts for Air-Cooled Version Only

Ref.	Spare Description	Code
1	Air Condenser	20264
3	Air Condenser Conveyor	10163
4	Sucking Fan	20031

### Parts for Water-Cooled Version Only

Ref.	Spare Description	Code
2	Water Condenser	14034

### Ref. 10 - Compressor

Voltage	Code
T11	231199
T12	231197
T13	231198

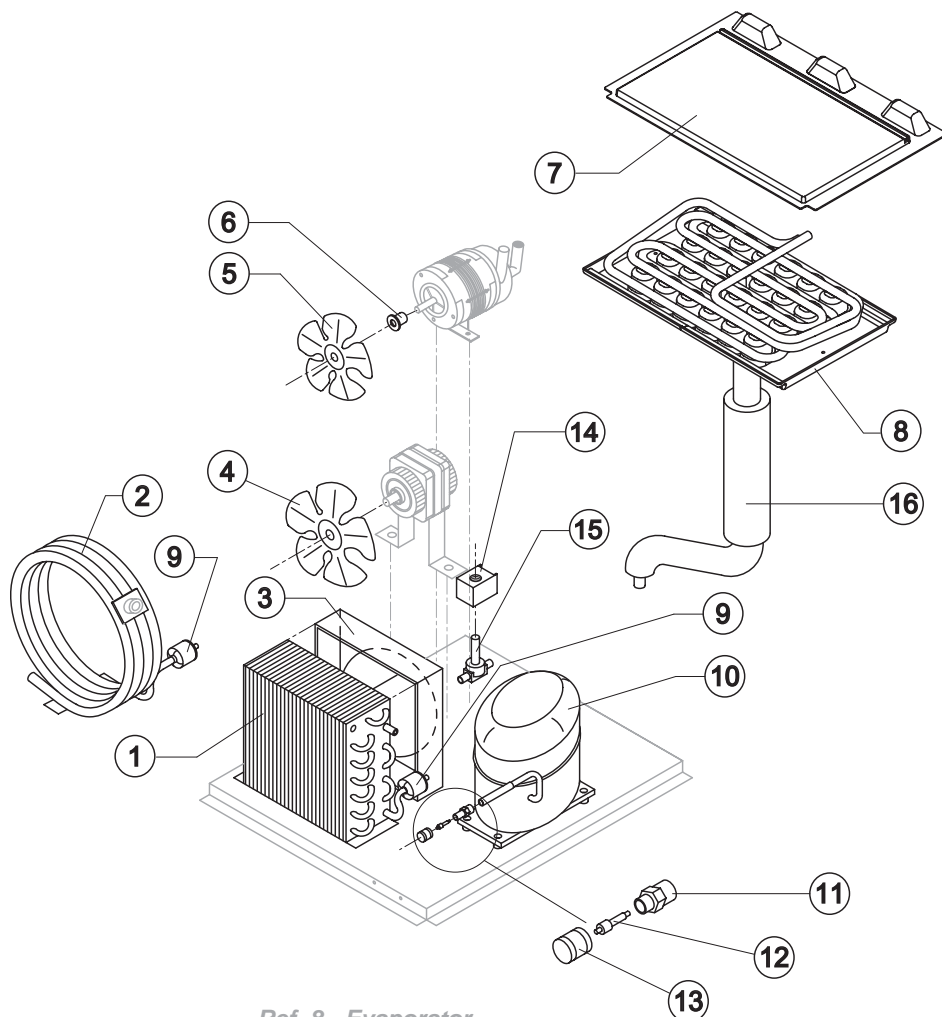
### Ref. 14\* - Hot Gas Valve Coil

Voltage	Code
T11	231294
T12	231294
T13	23256

### Ref. 8 - Evaporator

Kind of Cube	Code
18 g. (Standard)	D10214
33 g.	D10092
13 g.	D10126
42 g.	D10477
60 g.	D10555

Rev. 11 - 23/03/2018

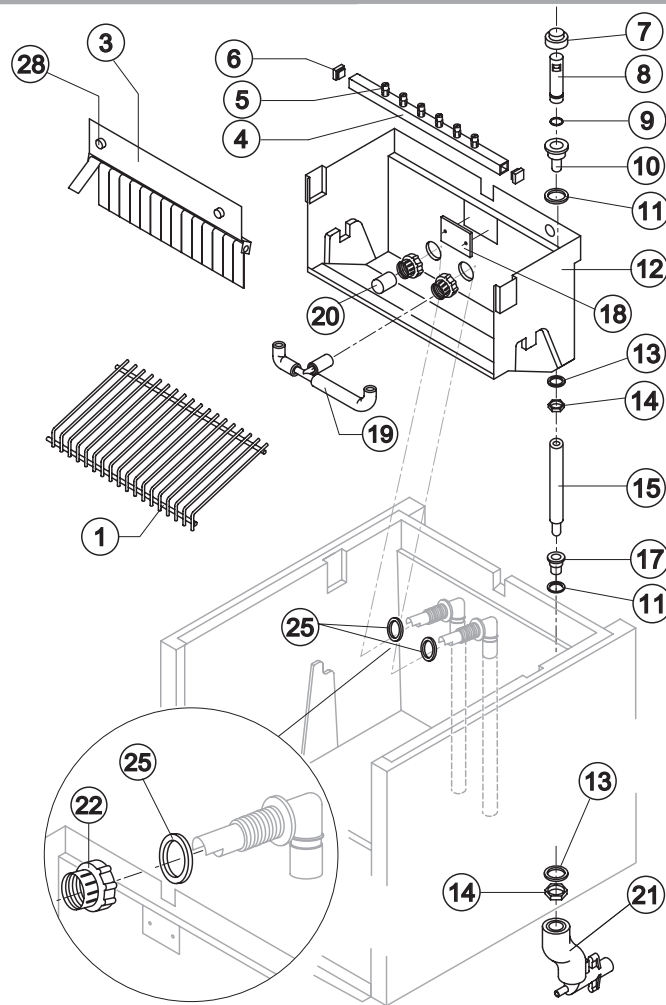




# CB 1265

# HYDRAULIC CIRCUIT

## CB 1265A / CB 1265W



**Ref. 1 - Ice Cube Slide**

Kind of Cube	Code
18 g. (Standard)	D12022
33 g.	D12033
13 g.	D12040
42 g.	D12033
60 g.	D12084

**Ref. 4\* - Sprayers Bar Ass.**

Kind of Cube	Code
18 g. (Standard)	C20144
33 g.	C20157
13 g.	C20200
42 g.	C20157
60 g.	C20941

### Common Parts

Ref.	Spare Description	Code
1	Ice Cubes Slide	See Table
3	Flags Support Assy	C22134
4*	Sprayers Bar Assembly	See Table
5	Sprayer	D20002
6	Sprayers Bar Plug	10012
7*	Overflow Cap	10305
8*	Overflow Pipe	10133
9*	OR Gasket for Overflow Pipe	20233
10	Overflow Pipe Nipple	10471
11	Silicone Gasket	13006
12	Inner Basin	10759
13	Semirigid Polyethylene Gasket	13007
14	Bin Discharge Nut	10096
15*	Overflow Pipe Assembly	13155
17	Water Outlet Nipple	10472
18	Slide Keep Plate	Till s/n. 233769 10009
19	Sprayers Bar Pipe Connection Assy	C13036
20*	Pump Suction Filter	20005
22	Fitting Locking Ring	10405
23	Pump Suction/Delivery Pipe	13142
24	Fitting of the Pump Suction/Delivery Pipes	10404
25	Gasket for Pump Suction/Delivery Pipes	13143
28	Fixing Screw	20009

### Parts for Air-Cooled Version Only

Ref.	Spare Description	Code
21	Discharges Manifold	C10006

### Parts for Water-Cooled Version Only

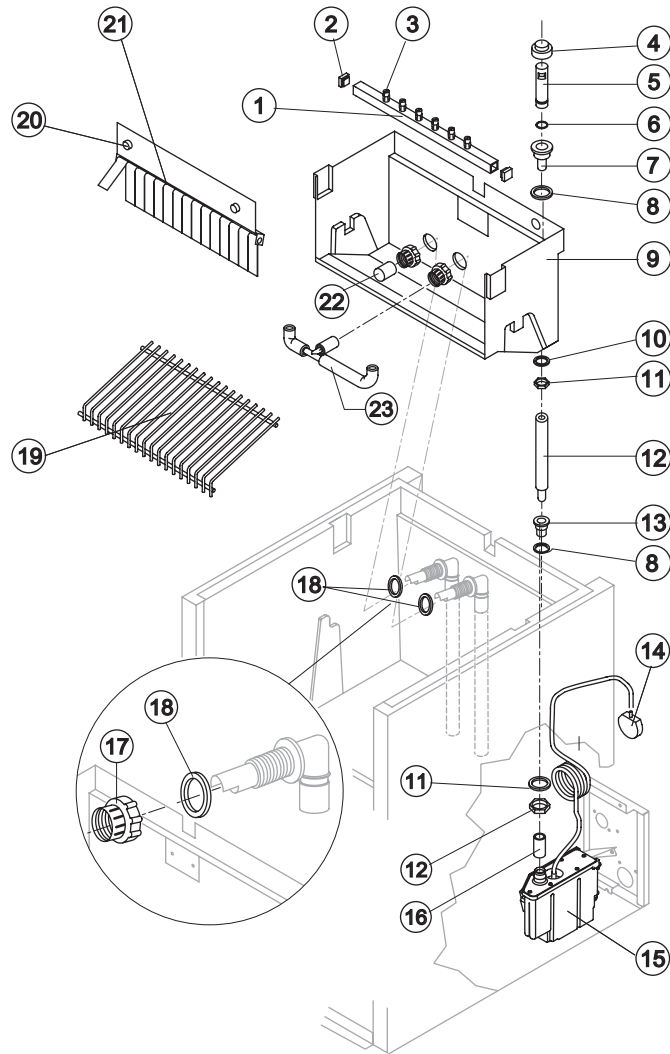
Ref.	Spare Description	Code
21	Discharges Manifold	C26452



# CB 1265

# HYDRAULIC CIRCUIT

## CB 1265A DP



### Common Parts

Ref.	Spare Description	Code
1*	Sprayers Bar Assembly	See Table
2	Sprayers Bar Plug	10012
3	Sprayer	D20002
4*	Overflow Cap	10305
5*	Overflow Pipe	10133
6*	OR Gasket for Overflow Pipe	20233
7	Overflow Pipe Nipple	10471
8	Silicone Gasket	13006
9	Inner Basin	10759
10	Semirigid Polyethylene Gasket	13007
11	Bin Discharge Nut	10096
12*	Overflow Pipe Assembly	13155
13	Water Outlet Nipple	10472
14	Drain Pump Pressure Switch	C231230
15	Drain Pump	C231225
16	Bin Discharge-Drain Pump Connection	C13175200
17	Fitting Locking Ring	10405
18	Gasket for Pump Suction/Delivery Pipes	13143
19	Ice Cubes Slide	See Table
20	Flags Support Assy	C22134
21	Fixing Screw	20009
22*	Pump Suction Filter	20005
23	Sprayers Bar Pipe Connection Assy	C13036

### Ref. 1 - Sprayers Bar Ass.

Kind of Cube	Code
18 g. (Standard)	C20144
13 g.	C20200

### Ref. 19 - Ice Cube Slide

Kind of Cube	Code
18 g. (Standard)	D12022
13 g.	D12040

Rev. 11 - 23/03/2018



# CB 1265

# ELECTRIC PARTS

## CB 1265A / CB 1265W / CB 1265A DP

### Common Parts

Ref.	Spare Description	Code
1*	Pump Assy	See Table
7	Contactors	Only T13 23595
8*	Condenser Pressure Switch	23175
9*	Bin Thermostat	R23005
10*	Evaporator Thermostat	R23591
11*	Timer	See Table
12*	Green Light Switch (On-Off)	23327

### Parts for Air-Cooled Version Only

Ref.	Spare Description	Code
2*	Fan Motor	See Table
6*	1 Way- Water Inlet Valve	See Table
13	Anti Radio Interference Filter	Only 220V/50-60Hz C23459

### Parts for Water-Cooled Version Only

Ref.	Spare Description	Code
5*	2 Ways- Water Inlet Valve	See Table
13	Anti Radio Interference Filter	Only 220V/50-60Hz C23457
14*	Safety Thermostat	C23114

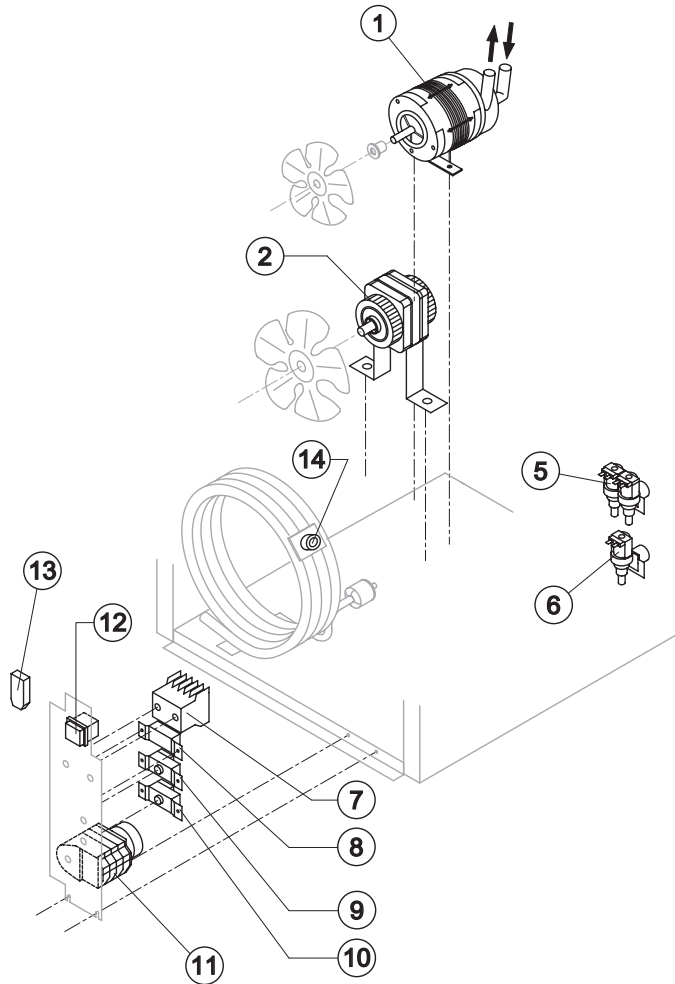
### Ref. 1\* - Pump Assy

Voltage	Code
T11	C23462
T12	C23462
T13	C23663

### Ref. 2\* - Fan motor

Voltage	Code
T11	23067
T12	23681
T13	23621

Rev. 11 - 23/03/2018



### Ref. 5\* - 2 Ways- Water inlet

Voltage	18g/13g Cube	33g/42g/60g Cube
T11	23157	23157
T12	23157	23157
T13	23788	23788

### Ref. 6\* - 1 Way - Water Inlet valve

Voltage	18g/13g Cube	33g Cube	42g/60g Cube
T11	23220	23220	23787
T12	23220	23787	23787
T13	23281	23789	23789

### Ref. 11\* - Timer

Voltage	18g Cube	33g Cube	13g Cube	42g Cube	60g Cube
T11	23222	23248	23247	23780	23922
T12	231078	231080	231077	231080	TBD
T13	23259	23786	23258	23786	TBD